



GAI-TRONICS®
A HUBBELL COMPANY

PVC Coil Cord Replacement Kit

Models 12514-107, 12514-108, and 12514-109

Confidentiality Notice

This manual is provided solely as an operational, installation, and maintenance guide and contains sensitive business and technical information which is confidential and proprietary to GAI-Tronics. GAI-Tronics retains all intellectual property and other rights in or to the information contained herein, and such information may only be used in connection with the operation of your GAI-Tronics product or system. This manual may not be disclosed in any form, in whole or in part, directly or indirectly, to any third party.

General Information

These kits are used to replace the PVC cords for handsets with or without a press bar and are used with a detached strain relief bushing. They are intended for use on the following models:

- 611 • 701-201 • 701-205 • 7165-002 • 701-304 • 701-902
- 6115 • 701-202 • 711-002 • 726-101 • 701-307 • 701-904
- 616 • 701-203 • 7115-002 • 7265-101 • 701-309
- 6165 • 701-204 • 716-002 • 701-302 • 701-312

These kits include the following components:

Qty	Description
1	Strain Relief Bushing
1	PVC Cord, 6-foot (Model 12514-107 Kit only)
1	PVC Cord, 15-foot (Model 12514-108 Kit only)
1	PVC Cord, 25-foot (Model 12514-109 Kit only)

Installation

Models without Press Bars

Removing the Old Cord

1. Loosen and remove the screws securing the front panel. Pull the front panel assembly away from the back enclosure. Retain for re-assembly.
2. Disconnect any connection between the front panel and the PCBA that interferes with the removal of the front panel. Disconnect the four handset wires from the PCBA, and make note of the connection locations.
3. If present, remove the E-clip securing the bushing and cord to the rear of the front panel.

4. Use a Heyco[®] bushing tool (preferred), or a set of needle-nose pliers to remove the bushing and cord from the front panel. If using needle-nose pliers, squeeze the undercut area of the bushing on the front side of the panel and pull out the cord. Make note of how much of the cord extends past the bushing.
5. Remove the lower cap (transmitter cap) from the handset. Pull out the transmitter, loosen the screws holding the wires and disconnect the black and white wires. Set aside for re-assembly. Make note of the orientation of the transmitter. Refer to Figure 1.
6. Remove the upper cap (receiver cap) from the handset handle. Set aside for re-assembly. Pull out the receiver, loosen the screws holding the wires and disconnect the green and red wires.
7. Pull the wire harness out of the handset and discard the cord.

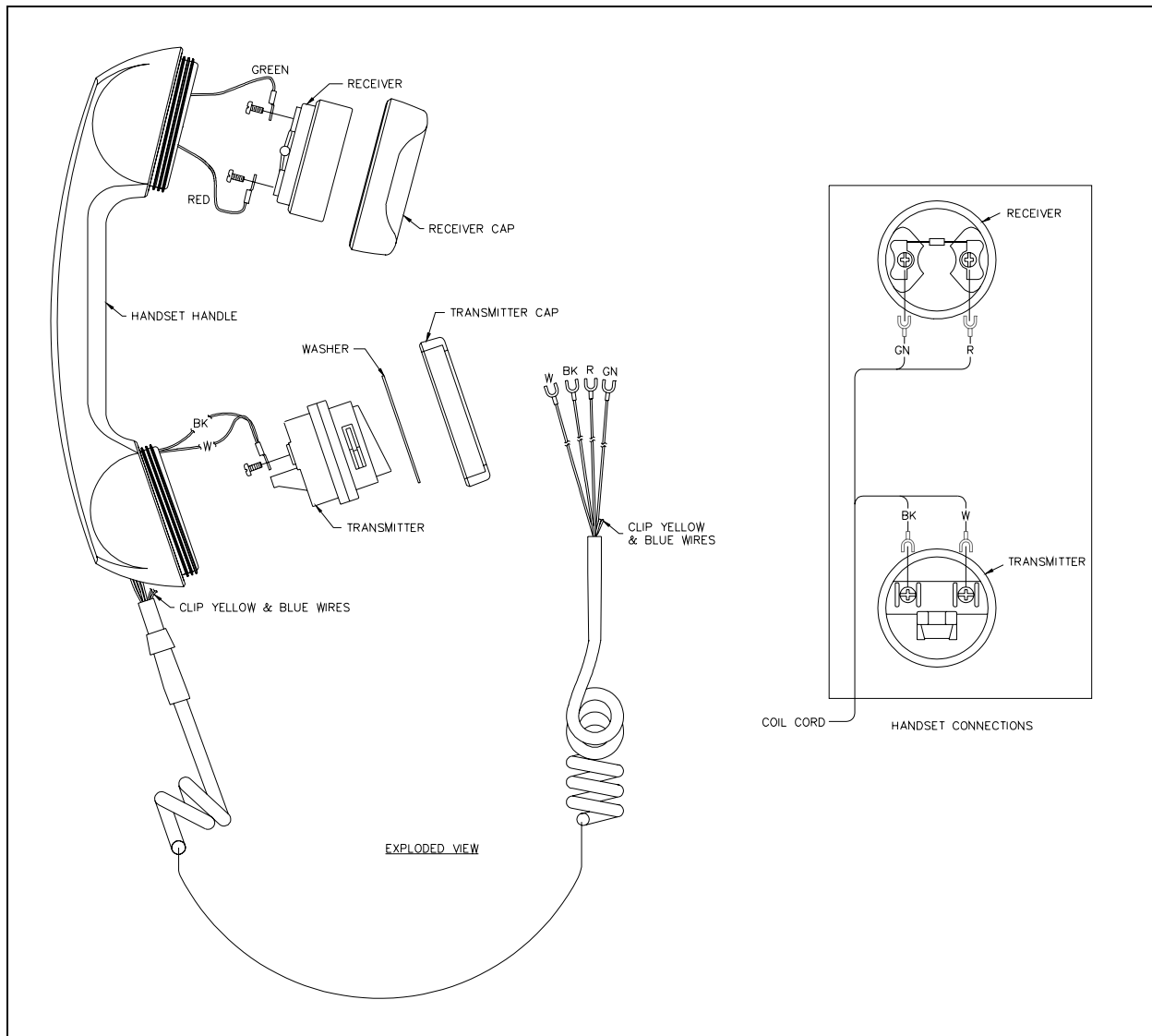


Figure 1. Handset Assembly

Installing the New Cord

1. Clip the blue and yellow wires from both ends of the new cord as close to the insulation as possible.
2. Thread the wires through the handset. The black and white wires should protrude out of the transmitter end of the handset, and the red and green wires out of the receiver end.
3. Reconnect the black and white wires to the transmitter using existing screws. Orient the transmitter so that the U-slot on the transmitter surrounds the molded bushing of the coil cord and "GTC" is at the 6 o'clock position in the handset handle cavity. Secure with the transmitter cap.
4. Reconnect the red and green wires to the receiver using the existing screws. Reinstall the receiver and secure using the receiver cap.
5. Insert the plain end of the coil cord into the strain relief bushing and close the bushing. See Figure 2.

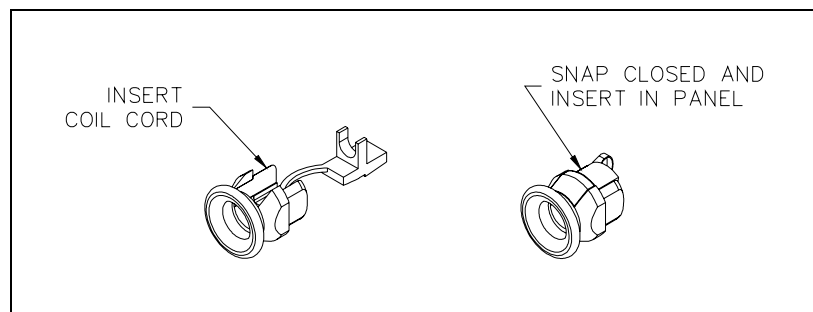


Figure 2. Strain Relief Bushing Assembly

6. Use the Heyco[®] bushing tool to squeeze the Heyco[®] bushing back into the front panel opening.
7. Reconnect the four handset wires to the E-clips previously noted and any other appropriate connections.
8. Secure the front panel to the back of the enclosure with the screws previously retained.

Models with Press Bar Handset

Removing the Old Cord

1. Loosen and remove the screws securing the front panel. Pull the front panel assembly away from the back enclosure. Retain for re-assembly.
2. Disconnect any connection between the front panel and the PCBA that interferes with the removal of the front panel. Disconnect the six handset wires from the PCBA and make note of the connection locations.
3. If present, remove the E-clip securing the bushing and cord to the rear of the front panel.
4. Use a Heyco[®] bushing tool (preferred), or a set of needle-nose pliers to remove the bushing and cord from the front panel. If using needle-nose pliers, squeeze the undercut area of the bushing on the front side of the panel and pull out with the cord. Make note of how much of the cord extends past the bushing.

5. Remove the lower cap (transmitter cap) from the handset handle. Set aside for re-assembly. Make note the orientation of the transmitter. Pull out the transmitter, loosen the screws holding the wires and disconnect the black and white wires. Refer to Figure 3.

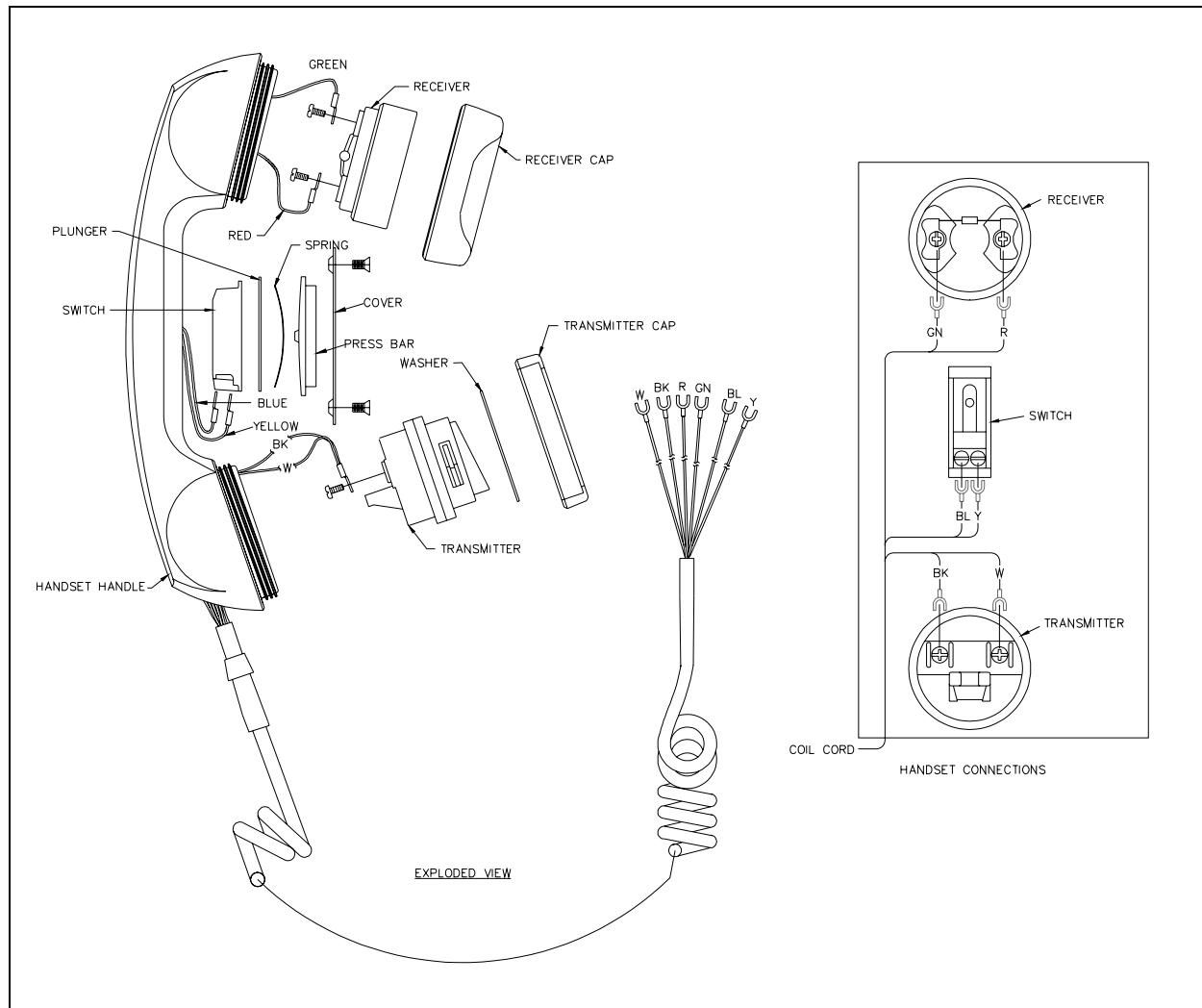


Figure 3. Handset Assembly with Press Bar

6. Remove the upper cap (receiver cap) from the handset handle. Set aside for re-assembly. Pull out the receiver, loosen the screws holding the wires and disconnect the green and red wires.
7. Remove the press bar assembly by removing the flat-head screws securing it to the handset handle. Remove the switch assembly from the cavity and loosen the screws for the blue and yellow wires and disconnect.
8. Pull the wire harness out of the handset and discard the cord.

Installing the New Cord

1. Thread the wires through the handset. The black and white wires should protrude out the transmitter end of the handset, the red and green wires out the receiver end and the blue and yellow wires out the center cavity. Push the molded bushing into the handset handle as far as possible.
2. Reconnect the black and white wires to the transmitter using the existing screws. Orient the transmitter so the U-slot on the transmitter surrounds the molded bushing of the coil cord and the "GTC" is at the 6 o'clock position in the handset handle cavity. Secure with the transmitter cap.
3. Reconnect the red and green wires to the receiver using the existing screws. Push the receiver into the handset receiver cavity, and secure with the receiver cap.
4. Reconnect the blue and yellow wires to the switch using the existing screws. Reinstall the switch assembly into the center handset cavity.
5. Insert the plain end of the coil cord into the strain relief bushing and close the bushing. Refer to Figure 2 on page 3.
6. Use the Heyco[®] bushing tool to squeeze the Heyco[®] bushing back into the front panel opening.
7. Reconnect the six handset wires to E-clips previously noted and make any other appropriate connections.
8. Secure the front panel to the back of the enclosure with the screws previously retained.